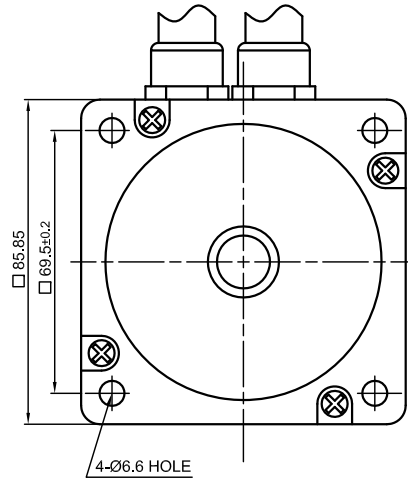
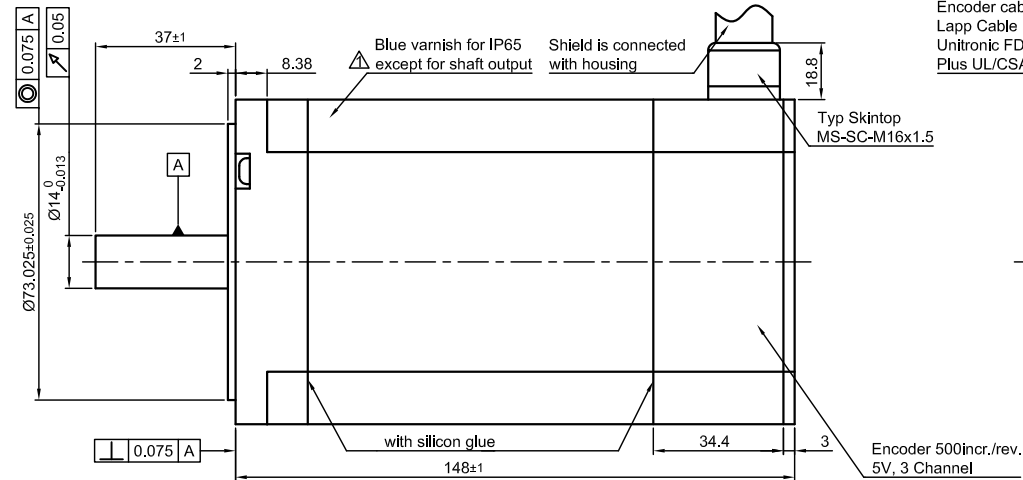


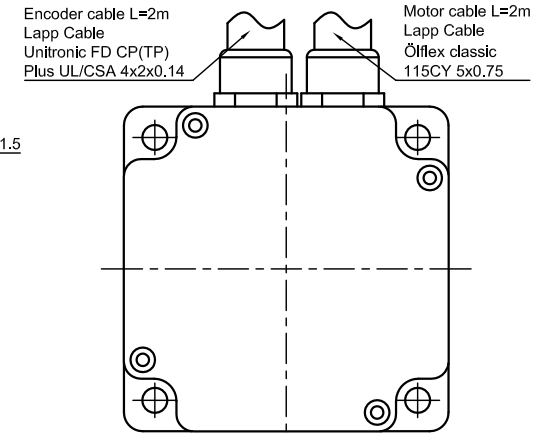
Front view and mounting



Side view



Rear view



CONNECTION		BIPOLAR PARALLEL	PERMISSIBLE RADIAL+AXIAL FORCE				CABLE MOTOR		M16 ENCODER							
SPECIFICATION							No.	ASSIGNMENT	No.	COLOR	ASSIGNMENT					
VOLTAGE (VDC)		2.18	AXIAL-FORCE F_a (N) <table border="1"> <tr> <td>$F_a=65$</td> <td>5</td> <td>10</td> <td>15</td> <td>20</td> </tr> </table>				$F_a=65$	5	10	15	20	1	A	1	WHT	A
$F_a=65$	5	10	15	20												
AMPS/PHASE		9.5	DISTANCE a (mm) <table border="1"> <tr> <td></td> <td>5</td> <td>10</td> <td>15</td> <td>20</td> </tr> </table>					5	10	15	20	2	A\	2	BRN	A\
	5	10	15	20												
RESISTANCE/PHASE (Ohms)@25°C		0.23±15%	RADIAL-FORCE F_r (N) <table border="1"> <tr> <td></td> <td>535</td> <td>355</td> <td>256</td> <td>200</td> </tr> </table>					535	355	256	200	3	B	3	GRN	B
	535	355	256	200												
INDUCTANCE/PHASE (mH) @1KHz		2.7±20%	SHAFT PLAY (mm) <table border="1"> <tr> <td></td> <td>0.075</td> <td>0.025</td> </tr> </table>					0.075	0.025	4	B\	4	YEL	B\		
	0.075	0.025														
HOLDING TORQUE (Nm) [lb-in]		9.33 [82.57]	AT LOAD MAX: (N) <table border="1"> <tr> <td></td> <td>10</td> <td>5.0</td> </tr> </table>					10	5.0	5	GND/YEL-GRN	5	GRY	GND		
	10	5.0														
DETENT TORQUE (Nm) [lb-in]		0.2 [1.7]					HOUSING	GND/SHIELDING	6	PINK	I					
STEP ANGLE (°) ± STEP ACCURACY		1.8 ± 5% (NON-ACCUM)							7	BLU	I\					
BACK-EMF (V) (300 U/min)		26							8	RED	Vcc					
ROTOR INERTIA (Kg-m ²) [lb-in ²]		3.0x10 ⁻⁴ [1.025]														
WEIGHT (Kg) [lb]		4.7 [10.36]														
TEMPERATURE RISE: MAX.80°C (MOTOR STANDSTILL; FOR 2 PHASE ENERGIZED)																
AMBIENT TEMPERATURE -10°~ 50°C [14°F ~ 122°F]																
INSULATION RESISTANCE 100 MOhm (UNDER NORMAL TEMPERATURE AND HUMIDITY)																
INSULATION CLASS B 130° [266°F]																
DIELECTRIC STRENGTH 500VAC FOR 1 MIN. (BETWEEN THE MOTOR COILS AND THE MOTOR CASE)																
AMBIENT HUMIDITY MAX. 85% (NO CONDENSATION)																

						SCALE FREE	APVD	<i>S.Ha.</i>	13.11.08	STEPPER MOTOR IN PROTECTION
1	RESTRICTION SUP.+EMF+WEIGHT	18.02.10	J.W.			X ±0.5	CHKD			
REV	DESCRIPTION	DATE	APVD	AP8918L9504-E	1PL ±0.2	DRN	<i>J.W.</i>	13.11.08	DWG.NO	AP8918L9504-E
					2PL ±0.1	SIGNATURE				
					ANGLE ±30'					